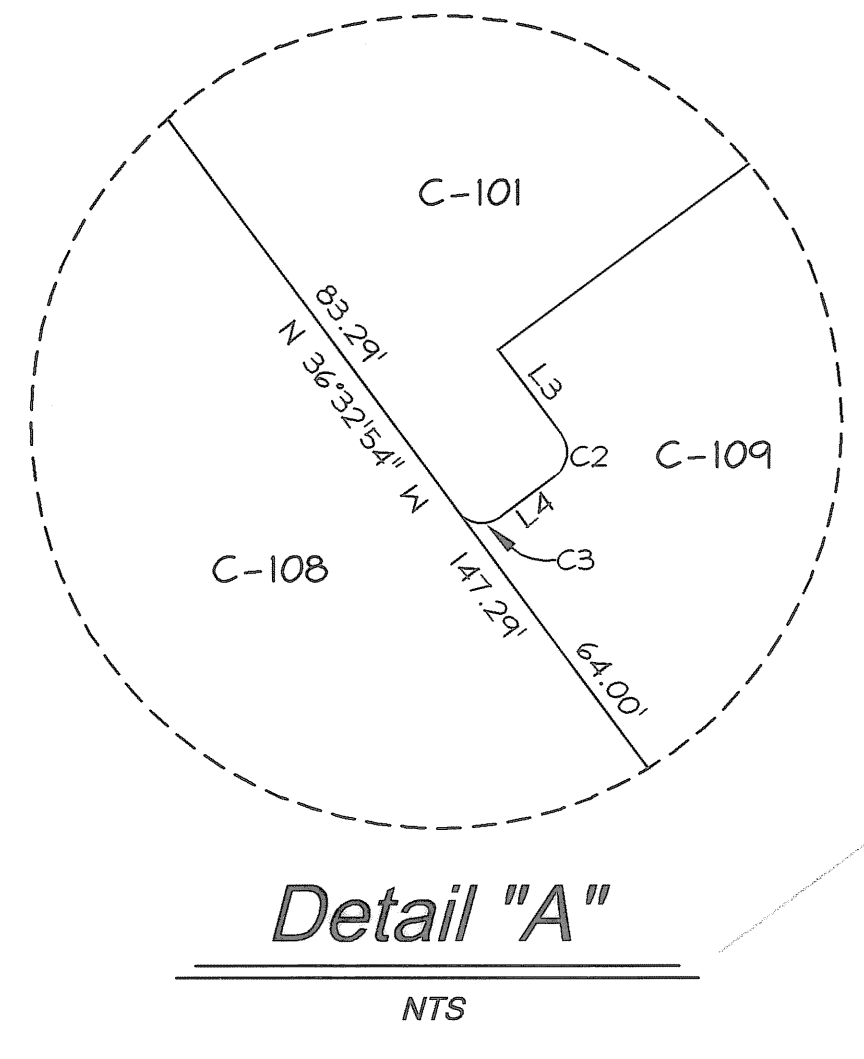


DATE: 4/10/08 TIME: 8:38:16 AM DRAWING NAME: FP-SUBDIVISION
 SERVER: S:\S\SERVICE\NONE_PLOTTING VIEW
 PATH: \MURRAY\G02-Division\Job\2008-012
 USER: JRM
 PLOT: 080408
 SCALE: 1" = 50'

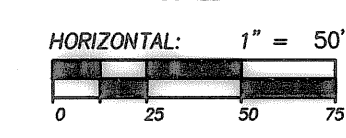
| LINE | BEARING | LENGTH |
|------|---------------|--------|
| L1 | S 36°32'54" E | 33.02' |
| L2 | N 53°27'06" E | 15.50' |
| L3 | N 36°32'54" W | 14.00' |
| L4 | S 53°27'06" W | 9.00' |
| L5 | S 77°14'38" E | 32.47' |
| L6 | S 53°27'06" W | 13.50' |
| L7 | S 53°27'06" W | 14.00' |
| L8 | N 31°06'27" W | 43.42' |
| L9 | S 52°52'15" W | 3.22' |
| L10 | S 13°29'27" E | 21.48' |
| L11 | S 36°32'54" E | 30.68' |
| L12 | N 53°27'06" E | 13.50' |
| L13 | S 53°27'06" W | 13.50' |
| L14 | S 36°32'54" E | 7.87' |
| L15 | N 17°06'47" W | 15.77' |
| L16 | S 36°32'54" E | 7.89' |
| L17 | S 53°27'06" W | 34.35' |
| L18 | S 26°15'41" E | 37.24' |
| L19 | S 36°32'54" E | 22.48' |
| L20 | N 00°39'23" W | 74.03' |
| L21 | N 00°39'23" W | 56.73' |
| L22 | S 11°44'48" E | 22.29' |
| L23 | N 18°26'28" W | 12.87' |
| L24 | S 36°32'54" E | 72.47' |
| L25 | S 36°32'54" E | 79.60' |
| L26 | S 36°32'54" E | 73.72' |
| L27 | S 36°32'54" E | 68.39' |
| L28 | S 36°32'54" E | 63.60' |



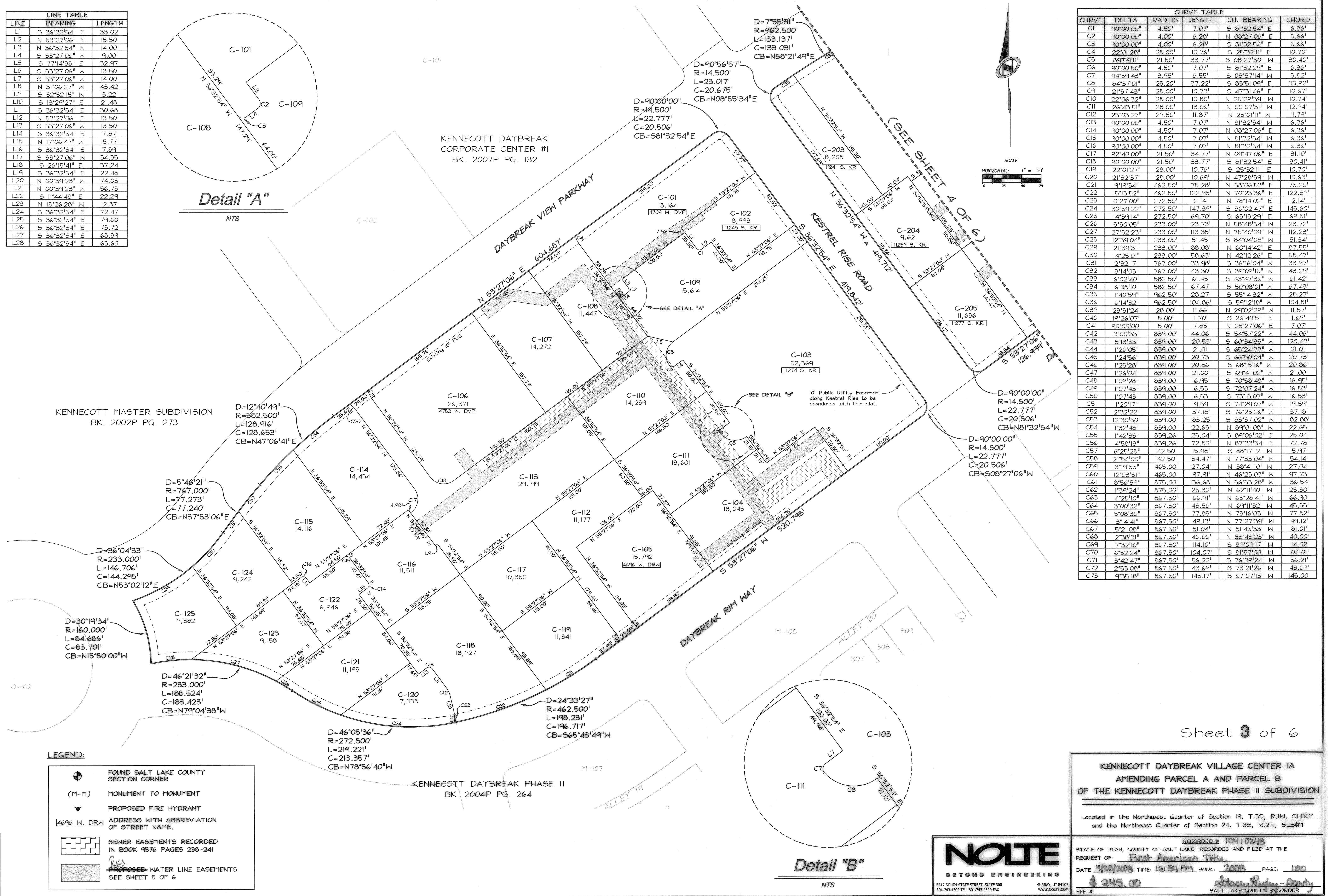
Detail "A"

NTS

| CURVE | DELTA | RADIUS | LENGTH | CH. BEARING | CHORD |
|-------|-----------|---------|---------|---------------|---------|
| C1 | 90°00'00" | 4.50' | 7.07' | S 81°32'54" E | 6.36' |
| C2 | 90°00'00" | 4.00' | 6.28' | N 08°27'06" E | 5.66' |
| C3 | 90°00'00" | 4.00' | 6.28' | S 81°32'54" E | 5.66' |
| C4 | 22°01'28" | 28.00' | 10.76' | S 25°32'11" E | 10.70' |
| C5 | 89°59'11" | 21.50' | 33.77' | S 08°27'30" W | 30.40' |
| C6 | 90°00'50" | 4.50' | 7.07' | S 81°32'29" E | 6.36' |
| C7 | 94°59'43" | 3.95' | 6.55' | S 05°57'14" W | 5.82' |
| C8 | 84°37'01" | 25.20' | 37.22' | S 83°51'09" E | 33.92' |
| C9 | 21°57'43" | 28.00' | 10.80' | S 47°31'46" E | 10.67' |
| C10 | 22°06'32" | 28.00' | 10.80' | N 25°29'39" W | 10.74' |
| C11 | 26°43'51" | 28.00' | 13.06' | N 00°07'31" W | 12.94' |
| C12 | 23°03'27" | 29.50' | 11.87' | N 25°01'11" W | 11.79' |
| C13 | 90°00'00" | 4.50' | 7.07' | N 81°32'54" W | 6.36' |
| C14 | 90°00'00" | 4.50' | 7.07' | N 08°27'06" E | 6.36' |
| C15 | 90°00'00" | 4.50' | 7.07' | N 81°32'54" W | 6.36' |
| C16 | 90°00'00" | 4.50' | 7.07' | N 81°32'54" W | 6.36' |
| C17 | 92°40'00" | 21.50' | 34.77' | N 09°47'06" E | 31.10' |
| C18 | 90°00'00" | 21.50' | 33.77' | S 81°32'54" E | 30.41' |
| C19 | 22°01'27" | 28.00' | 10.76' | S 25°32'11" E | 10.70' |
| C20 | 21°52'37" | 28.00' | 10.69' | N 47°28'59" W | 10.63' |
| C21 | 91°9'34" | 462.50' | 75.28' | N 58°06'53" E | 75.20' |
| C22 | 15°13'52" | 462.50' | 122.95' | N 70°23'36" E | 122.59' |
| C23 | 02°27'00" | 272.50' | 2.14' | N 78°14'02" E | 2.14' |
| C24 | 30°59'22" | 272.50' | 147.39' | S 86°02'47" E | 145.60' |
| C25 | 14°39'14" | 272.50' | 69.70' | S 78°13'29" E | 69.51' |
| C26 | 5°50'05" | 233.00' | 23.73' | N 58°48'54" W | 23.72' |
| C27 | 27°52'23" | 233.00' | 113.35' | N 75°40'09" W | 112.23' |
| C28 | 12°39'04" | 233.00' | 51.45' | S 84°04'08" W | 51.34' |
| C29 | 21°39'31" | 233.00' | 88.08' | N 60°14'42" E | 87.55' |
| C30 | 14°25'01" | 233.00' | 58.63' | N 42°12'26" E | 58.47' |
| C31 | 2°32'17" | 767.00' | 33.98' | S 36°16'04" W | 33.97' |
| C32 | 31°4'03" | 767.00' | 43.30' | S 39°04'15" W | 43.29' |
| C33 | 6°02'40" | 582.50' | 61.45' | S 43°47'36" W | 61.42' |
| C34 | 6°38'10" | 582.50' | 67.47' | S 50°08'01" W | 67.43' |
| C35 | 1°40'59" | 962.50' | 28.27' | S 55°14'32" W | 28.27' |
| C36 | 6°14'32" | 962.50' | 104.86' | S 59°12'18" W | 104.81' |
| C39 | 23°51'24" | 28.00' | 11.66' | N 29°02'29" W | 11.57' |
| C40 | 19°26'07" | 5.00' | 1.70' | S 26°49'51" E | 1.69' |
| C41 | 90°00'00" | 5.00' | 7.85' | N 08°27'06" E | 7.07' |
| C42 | 3°00'33" | 839.00' | 44.06' | S 54°57'22" W | 44.06' |
| C43 | 8°13'53" | 839.00' | 120.53' | S 60°34'35" W | 120.43' |
| C44 | 1°26'05" | 839.00' | 21.01' | S 65°24'33" W | 21.01' |
| C45 | 1°24'56" | 839.00' | 20.73' | S 66°50'04" W | 20.73' |
| C46 | 1°25'28" | 839.00' | 20.86' | S 68°15'16" W | 20.86' |
| C47 | 1°26'04" | 839.00' | 21.00' | S 69°41'02" W | 21.00' |
| C48 | 1°09'28" | 839.00' | 16.95' | S 70°58'48" W | 16.95' |
| C49 | 1°07'43" | 839.00' | 16.53' | S 72°07'24" W | 16.53' |
| C50 | 1°07'43" | 839.00' | 16.53' | S 73°15'07" W | 16.53' |
| C51 | 1°20'17" | 839.00' | 19.59' | S 74°29'07" W | 19.59' |
| C52 | 2°32'22" | 839.00' | 37.18' | S 76°25'26" W | 37.18' |
| C53 | 12°30'50" | 839.00' | 183.25' | S 83°57'02" W | 182.88' |
| C54 | 1°32'48" | 839.00' | 22.65' | N 89°01'08" W | 22.65' |
| C55 | 1°42'35" | 839.26' | 25.04' | S 89°06'02" E | 25.04' |
| C56 | 4°58'13" | 839.26' | 72.80' | N 87°33'34" E | 72.78' |
| C57 | 6°25'28" | 142.50' | 15.98' | S 88°17'12" W | 15.97' |
| C58 | 21°54'00" | 142.50' | 54.47' | N 77°33'04" W | 54.14' |
| C59 | 31°9'55" | 465.00' | 27.04' | N 38°41'10" W | 27.04' |
| C60 | 12°03'51" | 465.00' | 97.91' | N 46°23'03" W | 97.73' |
| C61 | 8°56'59" | 875.00' | 136.68' | N 56°53'28" W | 136.54' |
| C62 | 1°39'24" | 875.00' | 25.30' | N 62°11'40" W | 25.30' |
| C63 | 4°25'10" | 867.50' | 66.91' | N 65°28'41" W | 66.90' |
| C64 | 3°00'32" | 867.50' | 45.56' | N 69°11'32" W | 45.55' |
| C65 | 5°08'30" | 867.50' | 77.85' | N 73°16'03" W | 77.82' |
| C66 | 3°14'41" | 867.50' | 49.13' | N 77°27'39" W | 49.12' |
| C67 | 5°21'08" | 867.50' | 81.04' | N 81°45'33" W | 81.01' |
| C68 | 2°38'31" | 867.50' | 40.00' | N 85°45'23" W | 40.00' |
| C69 | 7°32'10" | 867.50' | 114.10' | S 89°09'17" W | 114.02' |
| C70 | 6°52'24" | 867.50' | 104.07' | S 81°57'00" W | 104.01' |
| C71 | 3°42'47" | 867.50' | 56.22' | S 76°39'24" W | 56.21' |
| C72 | 2°53'08" | 867.50' | 43.69' | S 73°21'26" W | 43.69' |
| C73 | 9°35'18" | 867.50' | 145.17' | S 67°07'13" W | 145.00' |



SCALE
HORIZONTAL: 1" = 50'



Detail "B"

NTS

LEGEND:

- FOUND SALT LAKE COUNTY SECTION CORNER
- (M-M) MONUMENT TO MONUMENT
- PROPOSED FIRE HYDRANT
- 4696 W. DRW ADDRESS WITH ABBREVIATION OF STREET NAME.
- SEWER EASEMENTS RECORDED IN BOOK 9576 PAGES 238-241
- PROPOSED WATER LINE EASEMENTS SEE SHEET 5 OF 6

Sheet 3 of 6

KENNECOTT DAYBREAK VILLAGE CENTER IA
AMENDING PARCEL A AND PARCEL B
OF THE KENNECOTT DAYBREAK PHASE II SUBDIVISION

Located in the Northwest Quarter of Section 19, T.3S, R.1W, SLB#11 and the Northeast Quarter of Section 24, T.3S, R.2W, SLB#11

RECORDED # 10410243
 STATE OF UTAH, COUNTY OF SALT LAKE, RECORDED AND FILED AT THE REQUEST OF: **First American Title**
 DATE: **4/23/08** TIME: **11:54 PM** BOOK: **2008** PAGE: **100**
\$ 245.00
 SALT LAKE COUNTY RECORDER

NOLTE
 BEYOND ENGINEERING

5217 SOUTH STATE STREET, SUITE 300 MURRAY, UT 84107
 801.743.1300 TEL. 801.743.0300 FAX WWW.NOLTE.COM

DATE: 4/10/08 TIME: 8:37:37 AM DRAWING: FP-SUBDIVISION
 SHEET: 4 OF 6
 PROJECT: KENECOTT DAYBREAK VILLAGE CENTER IA
 CLIENT: FIRST AMERICAN TITLE
 DRAWN BY: J. R. HARRIS
 CHECKED BY: J. R. HARRIS
 DATE: 4/10/08

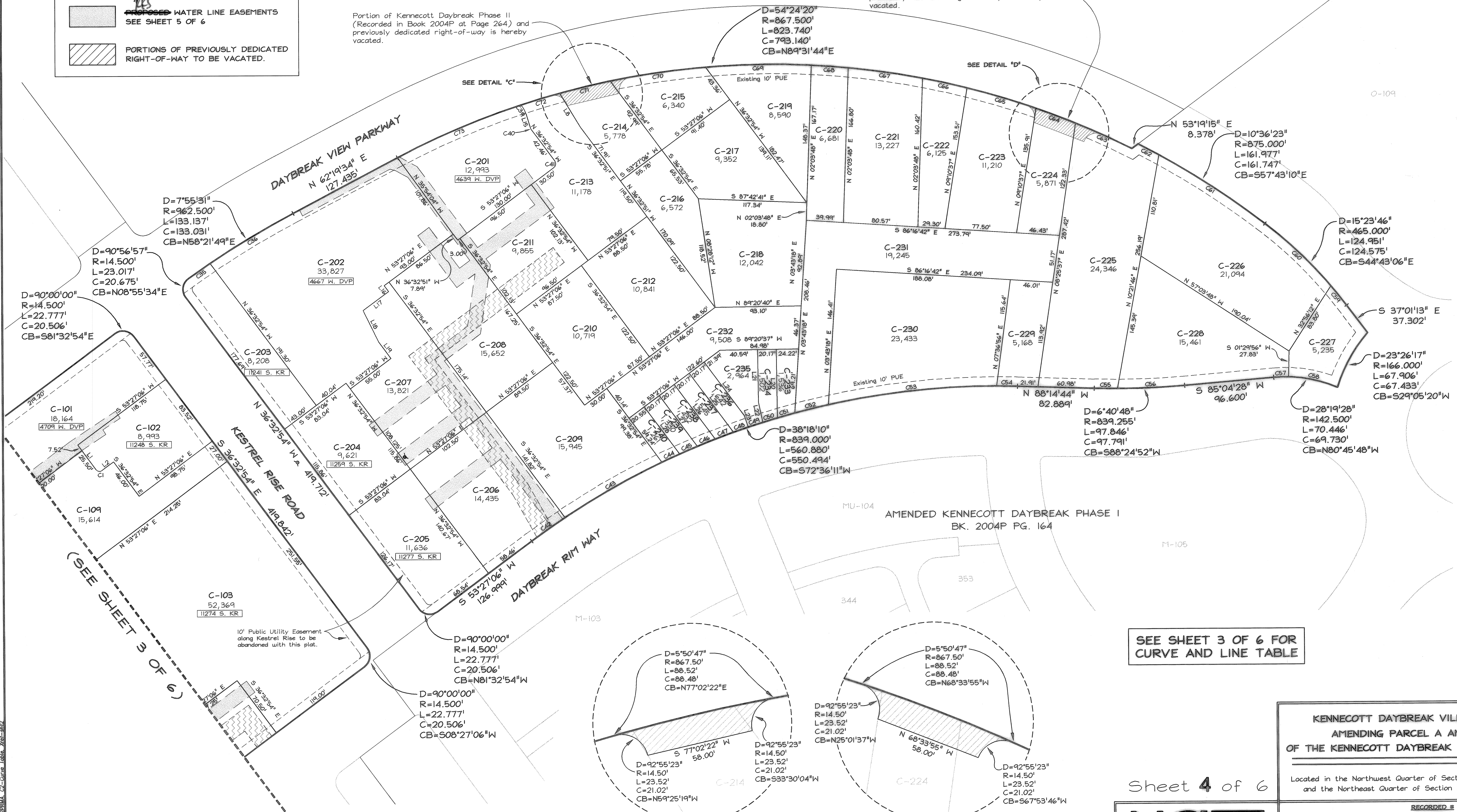
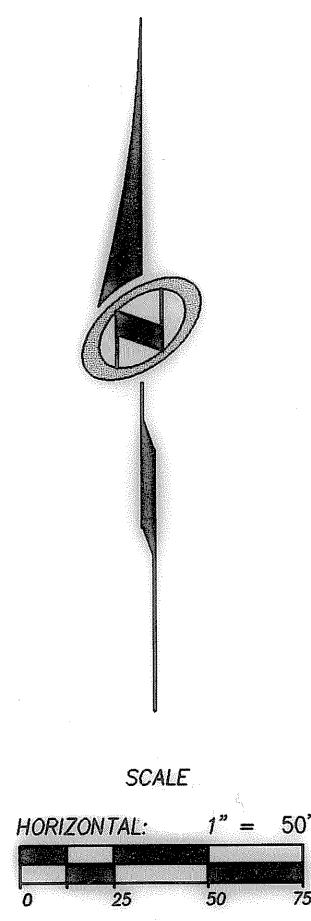
LEGEND:

- FOUND SALT LAKE COUNTY SECTION CORNER
- MONUMENT TO MONUMENT
- PROPOSED FIRE HYDRANT
- ADDRESS WITH ABBREVIATION OF STREET NAME.
- SEWER EASEMENTS RECORDED IN BOOK 9576 PAGES 238-241
- PROPOSED WATER LINE EASEMENTS SEE SHEET 5 OF 6
- PORTIONS OF PREVIOUSLY DEDICATED RIGHT-OF-WAY TO BE VACATED.

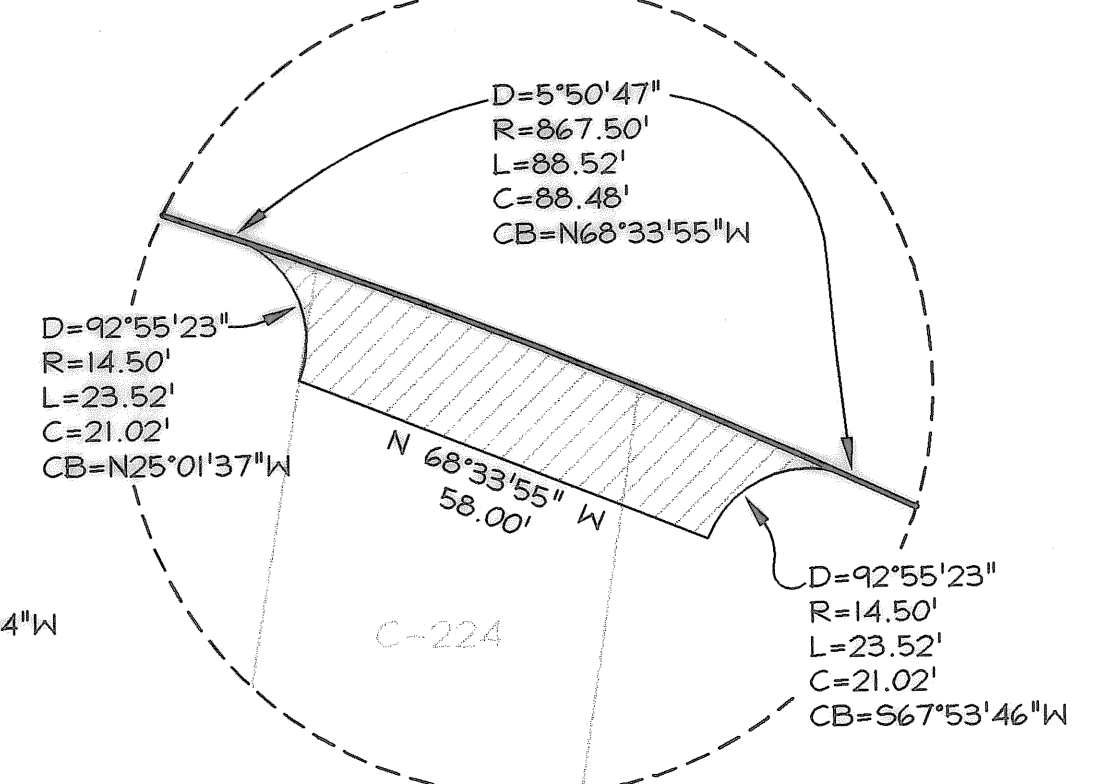
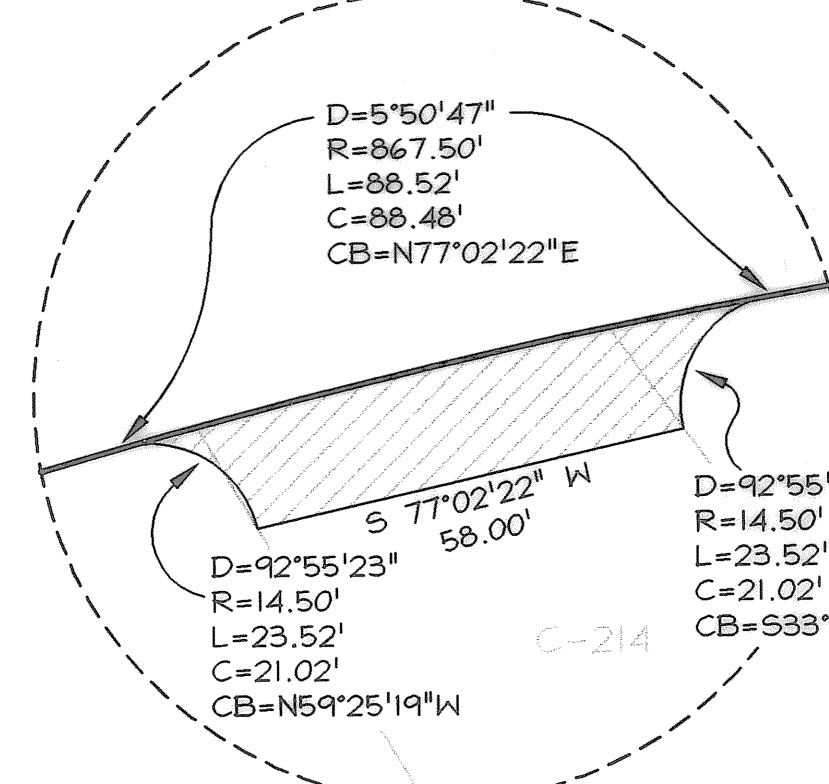
KENECOTT MASTER SUBDIVISION
 BK. 2002P PG. 273

Portion of Kenecott Daybreak Phase II (Recorded in Book 2004P at Page 264) and previously dedicated right-of-way is hereby vacated.

Portion of Kenecott Daybreak Phase II (Recorded in Book 2004P at Page 264) and previously dedicated right-of-way is hereby vacated.



SEE SHEET 3 OF 6 FOR CURVE AND LINE TABLE



Sheet 4 of 6

KENECOTT DAYBREAK VILLAGE CENTER IA
 AMENDING PARCEL A AND PARCEL B
 OF THE KENECOTT DAYBREAK PHASE II SUBDIVISION

Located in the Northwest Quarter of Section 19, T.3S, R.1W, SLB#1 and the Northeast Quarter of Section 24, T.3S, R.2W, SLB#1

RECORDED # 10410248
 STATE OF UTAH, COUNTY OF SALT LAKE, RECORDED AND FILED AT THE REQUEST OF: First American Title
 DATE: 4/10/08 TIME: 10:54 PM BOOK: 2008 PAGE: 100
 FEE \$ 245.00

NOLTE
 BEYOND ENGINEERING
 5217 SOUTH STATE STREET, SUITE 300 MURRAY, UT 84107
 801.743.1300 TEL. 801.743.0300 FAX WWW.NOLTE.COM

John R. HARRIS
 SALT LAKE COUNTY RECORDER

C-101

KENNECOTT DAYBREAK
 CORPORATE CENTER #1
 BK. 2007P PG. 132

DAYBREAK VIEW PARKW
 N 62°19'34" E
 127.435'

D=7°55'31"
 R=962.500'
 L=133.137'
 C=133.031'
 CB=N58°21'49"E

D=90°56'57"
 R=14.500'
 L=23.017'
 C=20.675'
 CB=N08°55'34"E

D=90°00'00"
 R=14.500'
 L=22.777'
 C=20.506'
 CB=S81°32'54"E

DAYBREAK VIEW PARKWAY
 N 53°27'06" E 604.687'

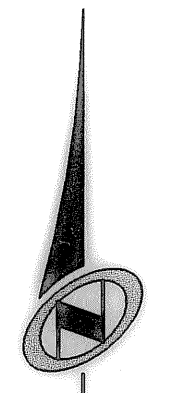
KESTREL RISE ROAD
 N 36°32'54" W 419.712'
 S 36°32'54" E 419.842'

DAYBREAK RIM WAY
 S 53°27'06" W
 126.999'

D=90°00'00"
 R=14.500'
 L=22.777'
 C=20.506'
 CB=N81°32'54"W


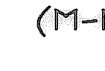
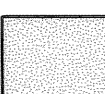
D=90°00'00"
 R=14.500'
 L=22.777'
 C=20.506'
 CB=S08°27'06"W

M WAY
 S 53°27'06" W 520.798'



SCALE
 HORIZONTAL: 1" = 40'

LEGEND:

-  FOUND SALT LAKE COUNTY SECTION CORNER
-  (M-M) MONUMENT TO MONUMENT
-  *PLS* PROPOSED WATER LINE EASEMENTS

KENNECOTT DAYBREAK VILLAGE CENTER 1A
 AMENDING PARCEL A AND PARCEL B
 OF THE KENNECOTT DAYBREAK PHASE II SUBDIVISION

Located in the Northwest Quarter of Section 19, T.3S, R.1W, SLB#1M
 and the Northeast Quarter of Section 24, T.3S, R.2W, SLB#1M

Sheet 5 of 6

NOLTE
 BEYOND ENGINEERING

5217 SOUTH STATE STREET, SUITE 300 MURRAY, UT 84107
 801.743.1300 TEL. 801.743.0300 FAX WWW.NOLTE.COM

RECORDED # 10410213
 STATE OF UTAH, COUNTY OF SALT LAKE, RECORDED AND FILED AT THE
 REQUEST OF: *First American Title*
 DATE: *4/23/08* TIME: *10:54 PM* BOOK: *2008* PAGE: *100*
 FEE \$ *245.00* *Stacy Rigley - Deputy*
 SALT LAKE COUNTY RECORDER

| PLAT NUMBER | DAYBREAK PARK LOT AREA | DAYBREAK OPEN SPACE LOT AREA | COLLECTOR STREET PARK STRIP AREA | NON-COLLECTOR STREET PARK STRIP AREA | PARK AREA DEDICATED TO CITY | OPEN SPACE AREA DEDICATED TO CITY | TOTAL ACREAGE | NUMBER OF ALLEYS | LINEAR FOOTAGE |
|---------------------------------|------------------------|------------------------------|----------------------------------|--------------------------------------|-----------------------------|-----------------------------------|-----------------|---------------------|------------------|
| △ PLAT 1 | 2.5723 | 38.23 | 2.28 | 5.23 | 10.0377 | 0.00 | 58.35 | SEE AMENDED PLAT 1 | |
| △ PLAT 1 AMENDED | 12.61 | 38.17 | 2.28 | 5.23 | 0.00 | 0.00 | 58.29 | 13 | 4,887.83 |
| LOT M-104 AMENDED | 0.0000 | 0.0000 | 0.00 | 0.00 | 0.00 | 0.00 | 0.00 | 0.0 | 0.00 |
| △ PLAT 2 | 8.6753 | 1.0496 | 1.32 | 4.74 | 0.00 | 0.00 | 15.7849 | SEE AMENDED PLAT 2 | |
| PLAT 2 AMENDED | 8.6093 | 1.0496 | 1.32 | 4.74 | 0.00 | 0.00 | 15.7189 | 21 | 6,340.29 |
| TOWNEHOME 1 SUB. | 0.0000 | 0.0000 | 0.00 | 0.00 | 0.00 | 0.00 | 0.00 | 0.0 | 0.00 |
| PLAT 3 | 2.6437 | 11.6106 | 0.32 | 5.89 | 0.00 | 0.00 | 20.4643 | 9 | 2,105.88 |
| △ PLAT 4 | 0.7252 | 0.3496 | 0.24 | 1.97 | 0.00 | 0.00 | 3.2848 | SEE AMENDED PLAT 4 | |
| PLAT 4 AMENDED | 0.7593 | 0.3363 | 0.24 | 1.97 | 0.00 | 0.00 | 3.3056 | 9 | 4,589.98 |
| CARRIAGE CONDOS | 0.0000 | 0.0000 | 0.00 | 0.00 | 0.00 | 0.00 | 0.00 | 0.0 | 0.00 |
| △ PLAT 5 | 2.9994 | 2.7368 | 1.18 | 5.39 | 0.00 | 0.00 | 12.3062 | SEE AMENDED PLAT 5 | |
| PLAT 5 AMENDED | 5.7505 | 0.0000 | 1.18 | 5.39 | 0.00 | 0.00 | 12.3205 | 36 | 10,719.18 |
| PLAT 6 | 3.3710 | 31.8148 | 0.00 | 3.89 | 0.00 | 0.00 | 39.0758 | 13 | 3,532.29 |
| △ PLAT 7 | 16.3272 | 7.6526 | 6.27 | 5.11 | 0.00 | 0.00 | 35.3598 | SEE AMENDED PLAT 7A | |
| PLAT 3A | 1.7360 | 0.0000 | 0.10 | 0.39 | 0.00 | 0.00 | 2.2260 | 5 | 1,690.56 |
| PLATS 3B-1 THRU 3B-10 | 0.0000 | 0.0000 | 0.00 | 0.00 | 0.00 | 0.00 | 0.00 | 0.0 | 0.00 |
| CORPORATE CENTER #1 | 0.0000 | 0.0000 | 0.07 | 0.10 | 0.00 | 0.00 | 0.17 | 0.0 | 0.00 |
| PLAT 8 | * 13.8622 | * 0.0431 | 0.38 | 3.77 | 0.00 | 0.00 | * 18.0553 | 13 | 4,227.78 |
| PLAT 7A AMENDED | 16.3272 | 7.6526 | 6.27 | 5.11 | 0.00 | 0.00 | 35.3598 | 35 | 10,037.21 |
| △ EASTLAKE VILLAGE CONDOS | 0.0000 | 0.0000 | 0.00 | 0.00 | 0.00 | 0.00 | 0.00 | 0.0 | 0.00 |
| PLAT 9 | 17.8005 | 0.0000 | 5.04 | 5.92 | 0.00 | 0.00 | 28.7605 | 38 | 11,087.08 |
| △ PLAT 7B AMENDED | 14.7624 | 7.6526 | 7.83 | 5.11 | 0.00 | 0.00 | 35.3598 | SEE AMENDED PLAT 7A | |
| VILLAGE CENTER 1A | 0.0000 | 0.0000 | 0.00 | 0.00 | 0.00 | 0.00 | 0.00 | 0.0 | 0.00 |
| AMENDED EASTLAKE VILLAGE CONDOS | 0.0000 | 0.0000 | 0.00 | 0.00 | 0.00 | 0.00 | 0.00 | 0.0 | 0.00 |
| TOTALS | 83.4697 | 90.6770 | 17.20 | 42.40 | 10.0377 | 0.0000 | 233.7467 | 192 | 59,218.08 |

△ INFORMATION COMPILED BY ADDING ACREAGE ON A FINAL PLAT PREPARED BY STANTEC.

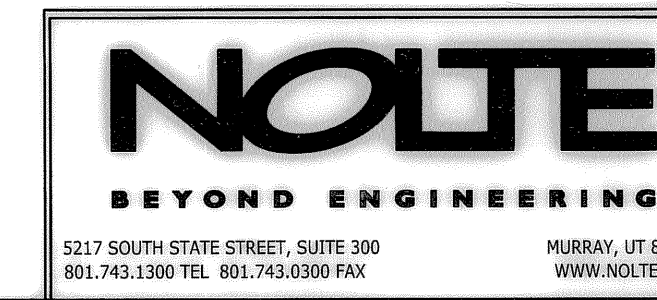
△ THESE PLATS WERE NOT ADDED IN THE TOTAL COLUMN AT THE BOTTOM OF THE TABLE. THESE PLATS HAVE BEEN AMENDED AND THE AMENDED PLAT WAS ADDED TO THE TOTAL AT THE BOTTOM OF THE TABLE.

△ THESE PLAT WAS NOT ADDED IN THE TOTAL COLUMN AT THE BOTTOM OF THE TABLE. THIS PLAT HAS BEEN AMENDED TWICE AND ONLY THE FIRST AMENDED PLAT (PLAT 7A) WAS ADDED TO THE TOTAL AT THE BOTTOM OF THE TABLE.

* THESE NUMBERS ARE CORRECTED FROM THE ORIGINALLY RECORDED PLAT 8.

**KENNECOTT DAYBREAK VILLAGE CENTER 1A
 AMENDING PARCEL A AND PARCEL B
 OF THE KENNECOTT DAYBREAK PHASE II SUBDIVISION**

Located in the Northwest Quarter of Section 19, T.3S, R.1W, SLB#1M
 and the Northeast Quarter of Section 24, T.3S, R.2W, SLB#1M



RECORDED # 10410243
 STATE OF UTAH, COUNTY OF SALT LAKE, RECORDED AND FILED AT THE
 REQUEST OF: First American Title
 DATE: 4/23/08 TIME: 10:54 PM BOOK: 2008 PAGE: 100
 FEE \$ 245.00
 SALT LAKE COUNTY RECORDER